

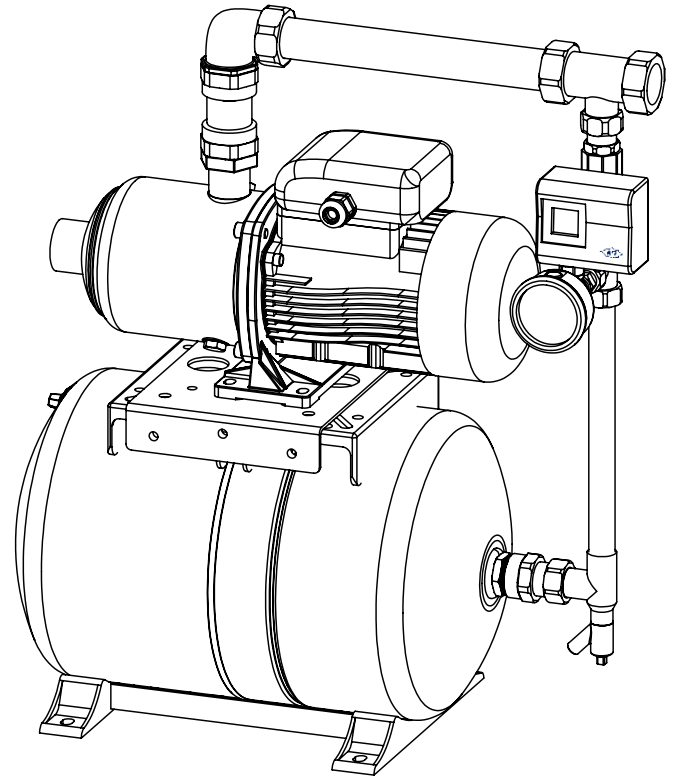


# Domestic

Our Domestic range of single pump cold water booster sets are the ideal solution when mains pressure isn't sufficient and a compact, simple, solution is required.

By mounting the pump on top of an expansion vessel, the cost and weight of a baseplate disappears whilst still offering a secure and sturdy unit. This reduction in weight means that the unit can easily be carried into the installation area without the need for pallet trucks and trolleys.

Once installed the system pressure will constantly be monitored via a pressure switch or transducer (with variable speed option). When an outlet has been opened and a pressure drop is detected, the unit will automatically start and maintain the desired set point. When demand stops, so does the booster set thus saving energy by only operating when required.



The Domestic range uses the latest e-HM stainless steel pumps equipped with IE3 motors in accordance with EN standards to ensure comfort and reliability.

- Single Pump
- Fixed Speed / Variable Speed Options
- 230V / 400V Input
- Low Water Protection Facility
- Stainless Steel / Brass Fittings
- Pressure Gauge
- Lightweight Design
- WRAS approved
- Fully Automatic
- Pre-Set to your requirements



Minimum Flow Rate	Maximum Flow Rate	Minimum Pressure	Maximum Pressure	Maximum Temperature
0.3 l/sec	3.9 l/sec	1.5 bar	6.0 bar	Cold Water Only

Technical Drawings are available on request in the following formats: pdf, dwg, dxf, step.

**This unit should never be connected directly to the mains.**

All booster sets should always be used in conjunction with a break tank unless otherwise stated.