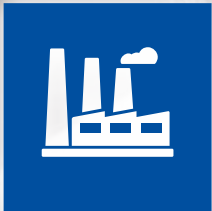




EBARA

CDX/2CDX
CENTRIFUGAL ELECTRIC PUMPS

60 Hz



SINGLE IMPELLER CENTRIFUGAL ELECTRIC PUMPS

in AISI 304



Single impeller centrifugal electric pumps with hydraulic parts in AISI 304 stainless steel.

APPLICATIONS

- Domestic pressure boosting
- Small-scale garden irrigation
- Washing
- Treating water
- Cooling towers
- Moving clean water in general

TECHNICAL DETAILS

- Solid hydraulic structure
- Small dimensions

PUMP TECHNICAL DATA

- Maximum working pressure: 8 bar
- Maximum temperature of the liquid:
 - from -5°C to +60°C for CDX 70
 - from -5°C to +90°C for the rest of the range
 - from -5°C to +110°C for H-HS-HW-HSW version
- G1½ suction connection for CDX 200, G1¼ for the rest of the range
- G1 discharge connection

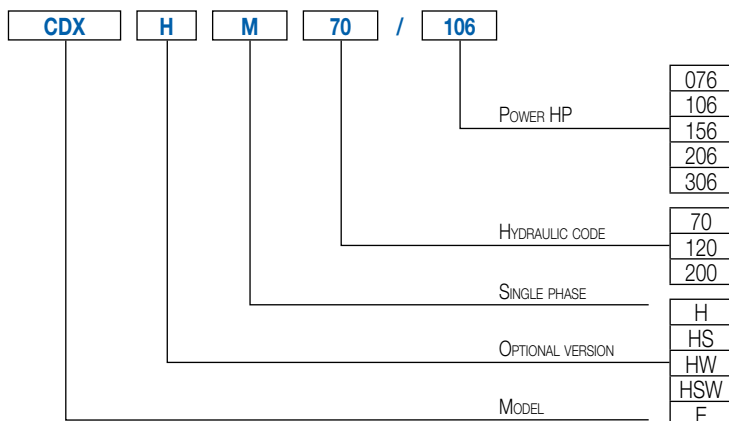
MOTOR TECHNICAL DATA

- IE3 high energy-efficiency motors starting from 0.75 kW up to 2.2 kW (only for 460V)
- Self-ventilated 2 poles asynchronous motor
- Class of insulation F
- IP55 Protection rating
- 110-115V ±6%, 60Hz single phase voltage
- 220-230V ±6%, 60Hz single phase voltage
- 220/380-460 -6% +10%, (0.55 kW) 60Hz three phase voltage
- 220/380-460 ±10%, (IE3* only 460V from 0.75 kW up to 2.2 kW) 60Hz three phase voltage
- Permanent capacitor inserted and thermo-amperometric protection with automatic rearm incorporated for the single phase motor
- Protection under user's responsibility for the three phase version

MATERIALS

- Casing, impeller, diffuser and casing cover in AISI 304
- Shaft in AISI 303
- Motor bracket and motor cover in aluminium
- Mechanical seal in:
 - Ceramic/Carbon/NBR (standard)
 - Ceramic/Carbon/FPM (H version)
 - SiC/SiC/FPM (HS version)
 - Tungsten carbide/Tungsten carbide/FPM (HW version - seal with reduced slide face)
 - SiC/Tungsten carbide/FPM (HSW version)
 - Ceramic/Graphite/EPDM (E version)

IDENTIFICATION CODE



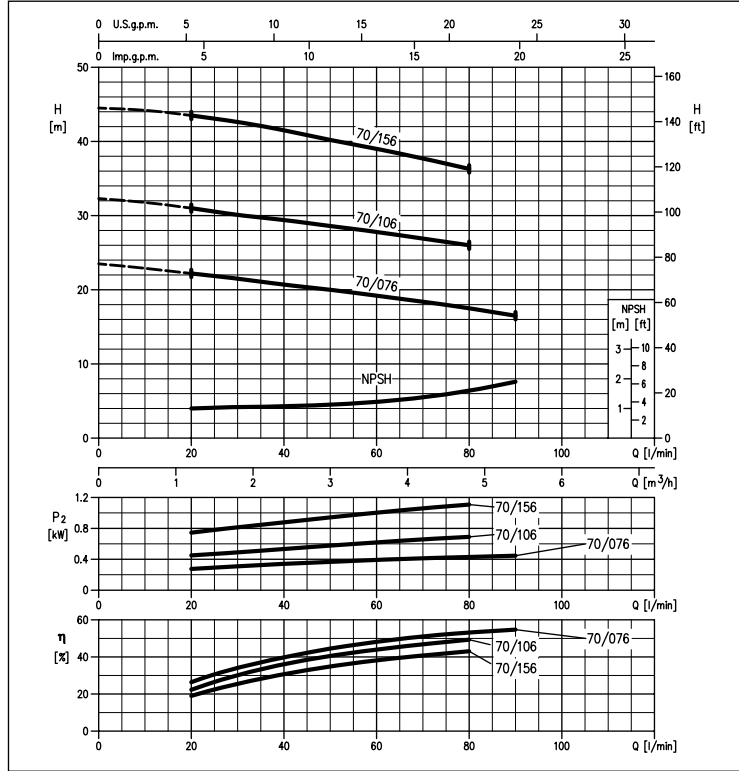


CDX

SINGLE IMPELLER CENTRIFUGAL ELECTRIC PUMPS in AISI 304

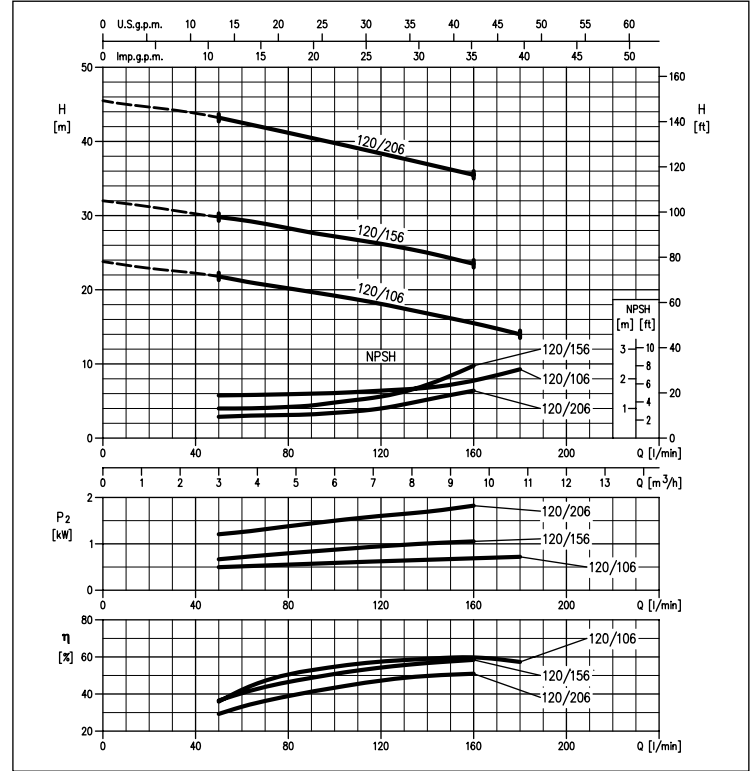
CDX 70 range PERFORMANCE CURVES

(according to ISO 9906 Attachment A)



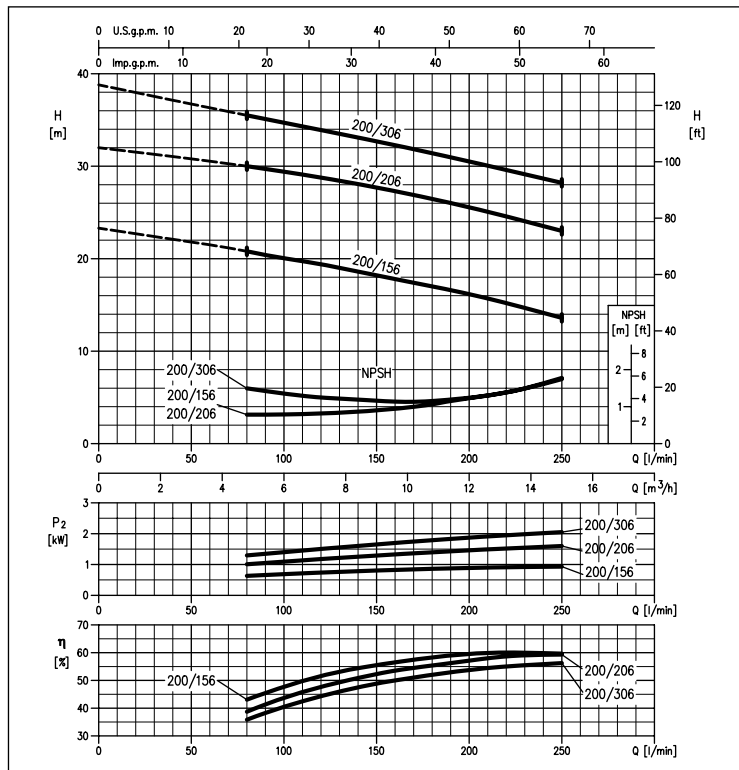
CDX 120 range PERFORMANCE CURVES

(according to ISO 9906 Attachment A)



CDX 200 range PERFORMANCE CURVES

(according to ISO 9906 Attachment A)



The content of this publication should not be considered mandatory. EBARA Pumps Europe S.p.A. reserves the right to change the content without prior notice.

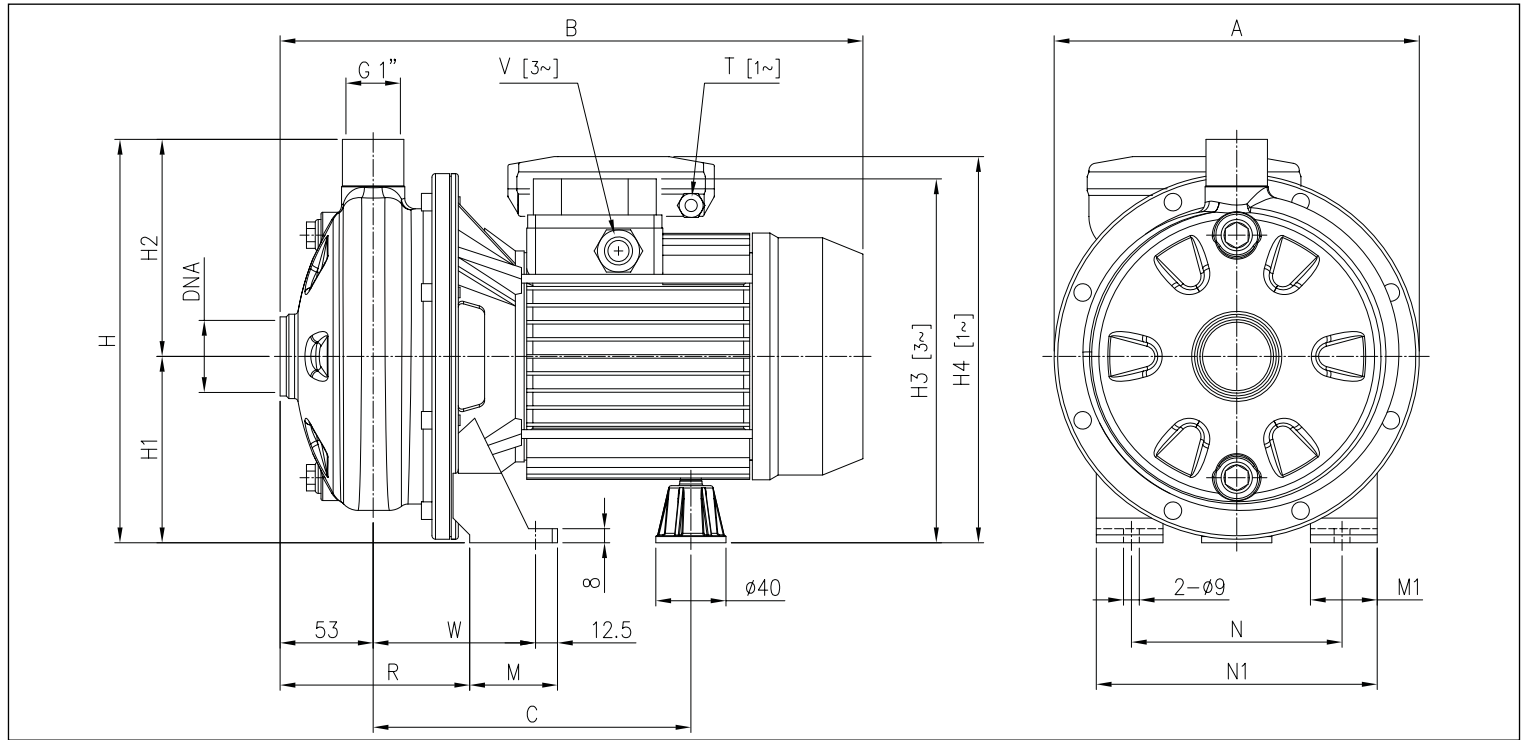
SINGLE IMPELLER CENTRIFUGAL ELECTRIC PUMPS

in AISI 304

CDX PERFORMANCE TABLE

| Model | | P ₂ | | Q = Flow Rate | | | | | | | | | | | |
|----------------------------------|-----------------------------|----------------|------|-------------------|------|------|------|------|------|------|------|------|------|-----|--|
| Single phase 110-115/220-230V | Three phase 220/380-460V | [HP] | [kW] | l/min | 20 | 50 | 80 | 90 | 120 | 140 | 160 | 180 | 220 | 250 | |
| | | | | m ³ /h | 1,2 | 3 | 4,8 | 5,4 | 7,2 | 8,4 | 9,6 | 10,8 | 13,2 | 15 | |
| | | | | H=Head [m] | | | | | | | | | | | |
| CDXM 70/076 | CDX 70/076 | 0,75 | 0,55 | 22,2 | 20 | 17,5 | 16,5 | - | - | - | - | - | - | - | |
| CDXM 70/106 | CDX 70/106 | 1 | 0,75 | 31,0 | 28,6 | 26,0 | - | - | - | - | - | - | - | - | |
| CDXM 70/156 | CDX 70/156 | 1,5 | 1,1 | 43,5 | 40,2 | 36,3 | - | - | - | - | - | - | - | - | |
| CDXM 120/106 | CDX 120/106 | 1 | 0,75 | - | 21,8 | 20,2 | 19,7 | 18,1 | 16,8 | 15,5 | 14,0 | - | - | - | |
| CDXM 120/156 | CDX 120/156 | 1,5 | 1,1 | - | 29,8 | 28,3 | 27,7 | 26,2 | 25,0 | 23,5 | - | - | - | - | |
| CDXM 120/206 | CDX 120/206 | 2 | 1,5 | - | 43,2 | 41,0 | 40,4 | 38,2 | 36,8 | 35,5 | - | - | - | - | |
| CDXM 200/156 | CDX 200/156 | 1,5 | 1,1 | - | - | 20,8 | 20,4 | 19,4 | 18,6 | 17,8 | 17,0 | 15,2 | 13,5 | - | |
| CDXM 200/206 | CDX 200/206 | 2 | 1,5 | - | - | 30,0 | 29,5 | 28,6 | 27,9 | 27,2 | 26,3 | 24,6 | 23,0 | - | |
| - | CDX 200/306 | 3 | 2,2 | - | - | 35,5 | 35,1 | 34,0 | 33,3 | 32,5 | 31,6 | 29,8 | 28,3 | - | |

CDX DIMENSIONS



DIMENSIONS TABLE

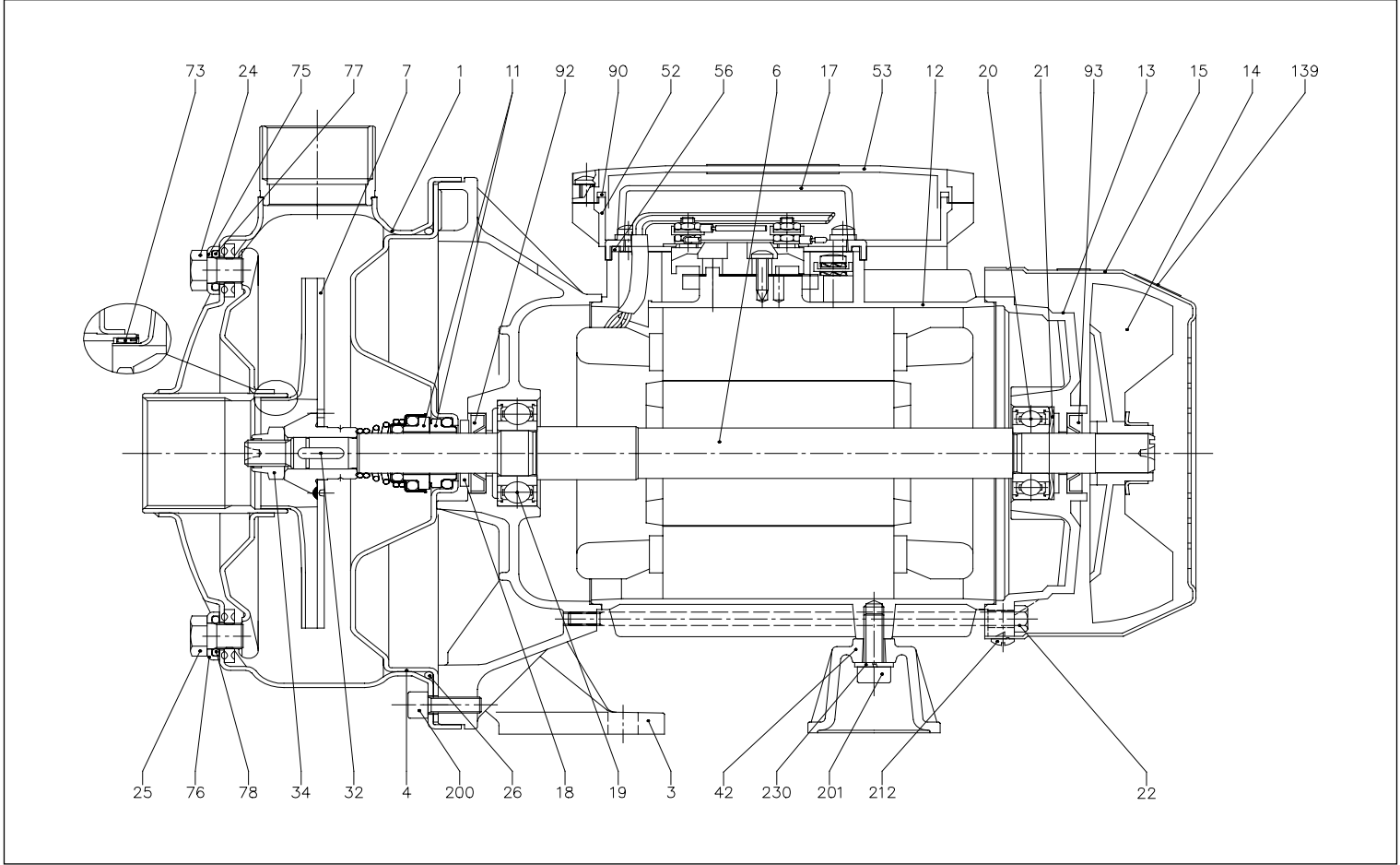
| Model CDXM/CDX | Dimensions [mm] | | | | | | | | | | | | | | | | | | | Weight | | | | |
|-------------------|-----------------|-----|-----|-----|-------|-------|-------|-------|-------|-----|-----|----|-----|-----|-------|---------|-------|---------|---------|--------|------|------|------|------|
| | A | [2] | B | [1] | * | C | H | H1 | H2 | H3 | H4 | M | M1 | N | N1 | R | T | [1] | V | * | W | DNA | [2] | [1] |
| 70/076 | 208 | 321 | 320 | 320 | - | 181 | 229,5 | 106 | 123,5 | 207 | 216 | 50 | 38 | 120 | 160 | 108 | PG 11 | PG 11 | - | 92,5 | G1¼ | 8,5 | 8,0 | - |
| 70/106 | 208 | 321 | 320 | 320 | 320 | 181 | 229,5 | 106 | 123,5 | 207 | 216 | 50 | 38 | 120 | 160 | 108 | PG 11 | PG 11 | M16x1,5 | 92,5 | G1¼ | 9,5 | 10,0 | 10,0 |
| 70/156 | 208 | 321 | 332 | 332 | 181 | 229,5 | 106 | 123,5 | 207 | 216 | 50 | 38 | 120 | 160 | 108 | PG 11 | PG 11 | M16x1,5 | 92,5 | G1¼ | 11,7 | 13,0 | 13,0 | |
| 120/106 | 208 | 321 | 320 | 320 | 181 | 229,5 | 106 | 123,5 | 207 | 216 | 50 | 38 | 120 | 160 | 108 | PG 11 | PG 11 | M16x1,5 | 92,5 | G1¼ | 9,5 | 10,0 | 10,0 | |
| 120/156 | 208 | 321 | 332 | 332 | 181 | 229,5 | 106 | 123,5 | 207 | 216 | 50 | 38 | 120 | 160 | 108 | PG 11 | PG 11 | M16x1,5 | 92,5 | G1¼ | 11,7 | 12,0 | 12,0 | |
| 120/206 | 208 | 347 | 359 | 372 | 198,5 | 229,5 | 106 | 123,5 | 225 | 249 | 55 | 40 | 140 | 180 | 105,5 | PG 13,5 | PG 11 | M20x1,5 | 95 | G1½ | 15,3 | 15,0 | 15,0 | |
| 200/156 | 208 | 321 | 320 | 320 | 181 | 229,5 | 106 | 123,5 | 207 | 216 | 50 | 38 | 120 | 160 | 108 | PG 11 | PG 11 | M16x1,5 | 92,5 | G1½ | 11,0 | 11,0 | 11,0 | |
| 200/206 | 208 | 347 | 359 | 372 | 198,5 | 229,5 | 106 | 123,5 | 225 | 237 | 55 | 40 | 140 | 180 | 105,5 | PG 13,5 | PG 11 | M20x1,5 | 95 | G1½ | 15,0 | 16,0 | 17,0 | |
| 200/306 | 232 | - | 359 | 372 | 198,5 | 250 | 118 | 132 | 237 | - | 55 | 40 | 140 | 180 | 105,5 | - | PG 11 | M20x1,5 | 95 | G1½ | - | 17,0 | 18,0 | |

[1]= Three phase only
 [2]= Single phase only
 * Models with IE3 motor only

SINGLE IMPELLER CENTRIFUGAL ELECTRIC PUMPS

in AISI 304

SECTIONAL VIEW



MATERIALS TABLE

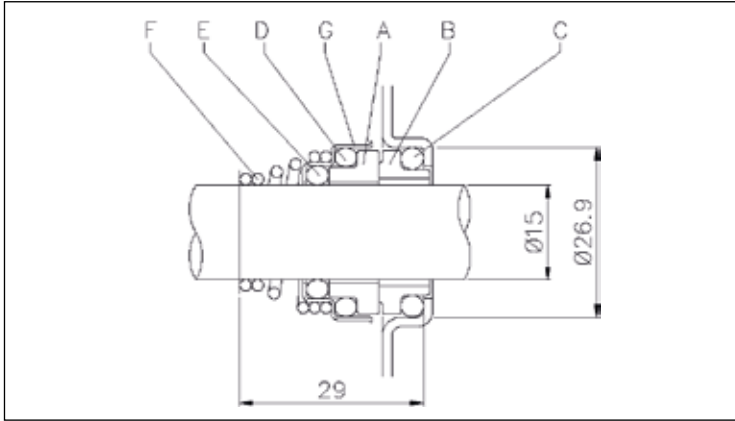
| Ref. | Name | Material | Ref. | Name | Material |
|------|-------------------------|---|------|-------------------------------|----------------------------|
| 1 | Fan | AISI 304 / AISI 316 [7] | 25 | O-ring [3] | AISI 303 / AISI 316 [7] |
| 3 | Casing | AISI 304 / AISI 316 [7] | 26 | Terminal box [1] | NBR |
| 4 | Motor bracket | AISI 304 / AISI 316 [7] | 32 | O-ring [3] | AISI 316 |
| 6 | Casing cover | - | 34 | O-ring [3] | AISI 304 / AISI 316 [7] |
| 7 | Shaft with rotor | PA | 42 | Drain plug | NBR |
| 11 | Impeller | - | 52 | Key | AISI 304 / AISI 316 [7] |
| 12 | Mechanical seal [3] | NBR | 53 | Impeller nut | AISI 304 |
| 13 | Motor frame with stator | - | 56 | Motor support | AISI 304 |
| 14 | Motor cover | - | 73 | Terminal box cover [5] | NBR |
| 15 | Fan cover | - | 75 | Box gasket | NBR |
| 16 | Terminal board | AISI 303 / AISI 316 [7] | 76 | Casing ring [4] | NBR |
| 17 | Terminal box cover [2] | Aluminium | 77 | Washer | - |
| 18 | Splash ring | AISI 303 / AISI 316 [8] (Wet extension) | 78 | Washer | - |
| 19 | Pump side ball bearing | Carbon/Ceramic/NBR | 90 | Terminal box cover gasket [6] | - |
| 20 | Fan side ball bearing | Aluminium | 92 | Lip seal | Aluminium |
| 21 | Adjusting ring | Fe P04 Zincate | 93 | Lip seal | ABS class V0 |
| 22 | Tie rod | Aluminium | 110 | Protector [1] | ABS class V0 |
| 23 | Capacitor [1] | Steel C70 | 200 | Screw | Stainless steel A2 UNI7323 |
| 24 | Priming plug | Fe 420 Zincate | | | |

[1] Only for single phase
 [2] Only for three phase
 [3] FPM for CDX H-HS-HW-HSW, EPDM for CDX E
 [4] NBR for CDX 70/076-70/106-70/156, FPM for CDX H-HS-HW-HSW of the CDX 70/076-70/106-70/156
 [5] Whit gasket in NBR only for version single phase CDXM 70/076, 70/106, 70/156, 120/106, 120/156, 200/156
 [6] Only for version single phase CDXM 120/206, 200/206
 [7] Only for "L" version

SINGLE IMPELLER CENTRIFUGAL ELECTRIC PUMPS

in AISI 304

SECTIONAL VIEW



MATERIALS TABLE

| Ref. | Name | Material | | | | | |
|------|----------------------|------------------|-----------------|-----------------|------------------|------------------|-----------------|
| | | Standard Version | H Version | HS Version | HW Version | HSW | E |
| A | Rotary seal ring | Ceramic | Ceramic | Silicon carbide | Tungsten carbide | Silicon carbide | Ceramic |
| B | Stationary seal ring | Carbon graphite | Carbon graphite | Silicon carbide | Tungsten carbide | Tungsten carbide | Carbon graphite |
| C | O Ring | NBR | FPM | FPM | FPM | FPM | EPDM |
| D | O Ring | NBR | FPM | FPM | FPM | FPM | EPDM |
| E | O Ring | NBR | FPM | FPM | FPM | FPM | EPDM |
| F | Self driving spring | AISI 316 | AISI 316 | AISI 316 | AISI 316 | AISI 316 | AISI 316 |
| G | Frame | AISI 304 | AISI 304 | AISI 316 | AISI 316 | AISI 316 | AISI 316 |

ELECTRIC DATA TABLE

| Model | | P ₂ | | Efficiency | | Capacitor | | | | Efficiency (%) | | | Efficiency (%) | | | P | | Absorbed Current [A] | | | | | | |
|-------------------|----------------------|----------------|------|--------------|-------------|--------------|--------------|------|-----|------------------|------|------|------------------|------|------|--------------|-------------|------------------------|------|-----|-------------------------------|--|--|--|
| Single phase 230V | Three phase 230/400V | [HP] | [kW] | Single phase | Three phase | 110-115 V μF | 220-230 V V. | μF | V. | Three phase 380V | | | Three phase 460V | | | Single phase | Three phase | Single Phase 220-230 V | | | Three Phase 220 V 380 V 460 V | | | |
| | | | | | | | | | | 50% | 75% | 100% | 50% | 75% | 100% | [kW] | [kW] | | | | | | | |
| CDXM 70/076 | CDX 70/076 | 0,75 | 0,55 | - | - | 45 | 250 | 12,5 | 450 | - | - | - | - | - | - | 0,70 | 0,74 | 7,5 | 3,4 | 1,2 | 1,2 | | | |
| CDXM 70/106 | CDX 70/106 | 1,0 | 0,75 | - | - | 60 | 250 | 14 | 450 | - | - | - | - | - | - | 1,05 | 0,97 | 9,4 | 5,1 | 1,7 | 1,6 | | | |
| CDXM 70/156 | CDX 70/156 | 1,5 | 1,1 | - | - | - | - | 25 | 450 | 80,7 | 82,3 | 81,5 | 77,9 | 81,7 | 82,7 | 1,56 | 1,50 | - | 7,5 | 2,2 | 2,2 | | | |
| - | CDX 70/156 | 1,5 | 1,1 | - | IE3* | - | - | - | - | 84,8 | 84,5 | 82,7 | 82,0 | 84,4 | 84,5 | - | 1,30 | - | - | 2,3 | 2,2 | | | |
| CDXM 120/106 | CDX 120/106 | 1,0 | 0,75 | - | - | 60 | 250 | 14 | 450 | - | - | - | - | - | - | 1,06 | 0,99 | 10,4 | 5,2 | 1,7 | 1,7 | | | |
| CDXM 120/156 | CDX 120/156 | 1,5 | 1,1 | - | - | - | - | 25 | 450 | 80,7 | 82,3 | 81,5 | 77,9 | 81,7 | 82,7 | 1,50 | 1,50 | - | 7,2 | 2,2 | 2,2 | | | |
| - | CDX 120/156 | 1,5 | 1,1 | - | IE3* | - | - | - | - | 84,8 | 84,5 | 82,7 | 82,0 | 84,4 | 84,5 | - | 1,30 | - | - | 2,3 | 2,2 | | | |
| CDXM 120/206 | CDX 120/206 | 2,0 | 1,5 | - | - | - | - | 35 | 450 | 82,4 | 83,0 | 82,2 | 79,5 | 82,9 | 83,8 | 2,34 | 2,90 | - | 11,3 | 4,7 | 4,3 | | | |
| - | CDX 120/206 | 2,0 | 1,5 | - | IE3* | - | - | - | - | 88,9 | 88,8 | 87,2 | 86,3 | 88,5 | 88,4 | - | 2,48 | - | - | 4,3 | 4,1 | | | |
| CDXM 200/156 | CDX 200/156 | 1,5 | 1,1 | - | - | - | - | 20 | 450 | 77,2 | 79,5 | 79,3 | 76,6 | 80,9 | 82,3 | 1,35 | 1,00 | - | 6,6 | 1,7 | 1,6 | | | |
| - | CDX 200/156 | 1,5 | 1,1 | - | IE3* | - | - | - | - | 80,7 | 81,9 | 81,3 | 78,4 | 81,6 | 83,1 | - | 0,90 | - | - | 1,6 | 1,5 | | | |
| CDXM 200/206 | CDX 200/206 | 2,0 | 1,5 | - | - | - | - | 35 | 450 | 82,4 | 83,0 | 82,2 | 79,5 | 82,9 | 83,8 | 2,06 | 2,90 | - | 10,0 | 4,7 | 4,3 | | | |
| - | CDX 200/206 | 2,0 | 1,5 | - | IE3* | - | - | - | - | 88,9 | 88,8 | 87,2 | 86,3 | 88,5 | 88,4 | - | 2,48 | - | - | 4,3 | 4,1 | | | |
| - | CDX 200/306 | 3,0 | 2,2 | - | - | - | - | - | - | 82,4 | 83,0 | 82,2 | 79,5 | 82,9 | 83,8 | - | 2,90 | - | - | 4,7 | 4,3 | | | |
| - | CDX 200/306 | 3,0 | 2,2 | - | IE3* | - | - | - | - | 88,9 | 88,8 | 87,2 | 86,3 | 88,5 | 88,4 | - | 2,48 | - | - | 4,3 | 4,1 | | | |

* Only for 460V

The content of this publication should not be considered mandatory. EBARA Pumps Europe S.p.A. reserves the right to change the content without prior notice.

2CDX

SINGLE IMPELLER CENTRIFUGAL ELECTRIC PUMPS

in AISI 304



Dual impeller centrifugal electric pumps with hydraulic parts in AISI 304 stainless steel.

APPLICATIONS

- Domestic pressure boosting
- Small-scale garden irrigation
- Washing
- Treating water
- Cooling towers
- Moving clean water in general

TECHNICAL DETAILS

- Strong structure
- Small dimensions

PUMP TECHNICAL DATA

- Maximum working pressure: 8 bar
- Maximum temperature of the liquid:
 - from -5°C to +60°C
 - from -5°C to +110° in the H-HS version
- Suction connection from G1¼ to G1½
- G1 discharge connection

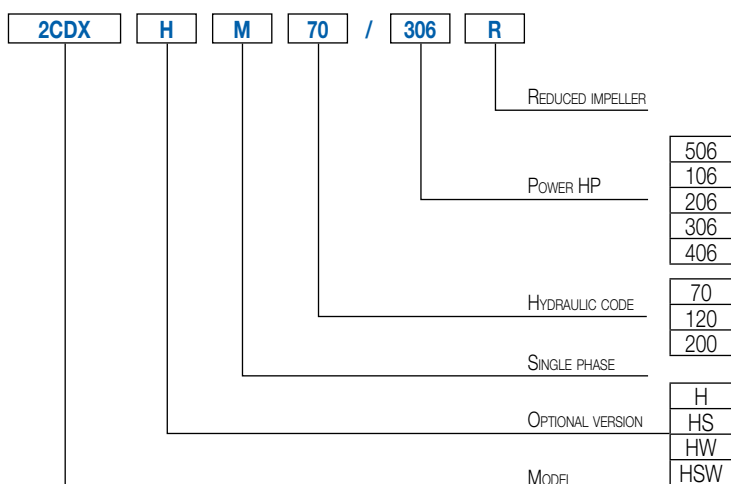
MOTOR TECHNICAL DATA

- IE3 high energy-efficiency motors starting from 0.75 kW up to 2.2 kW (only for 460V)
- Self-ventilated 2 poles asynchronous motor
- Class of insulation F
- IP55 Protection rating
- 220-230V ±6%, 60Hz single phase voltage
- 220/380V ±10%, (from 0.75 up to 4.0 kW) 60Hz three phase voltage
- 220/460V ±10%, (IE3 from 0.75 up to 4.0kW) 60Hz three phase voltage
- Permanent capacitor inserted and thermo-amperometric protection with automatic rearm incorporated for the single phase motor
- Protection under user's responsibility for the three phase version

MATERIALS

- Casing, impeller, diffuser and casing cover in AISI 304
- Shaft in AISI 303
- Motor bracket and motor cover in aluminium
- Mechanical seal in:
 - Ceramic/Carbon/NBR (standard)
 - Ceramic/Carbon/FPM (H version)
 - SiC/SiC/FPM (HS version)
 - Tungsten carbide/Tungsten carbide/FPM (HW version - seal with reduced slide face)
 - SiC/Tungsten carbide/FPM (HSW version)
 - Ceramic/Graphite/EPDM (E version)

IDENTIFICATION CODE



The content of this publication should not be considered mandatory. EBARA Pumps Europe S.p.A. reserves the right to change the content without prior notice.



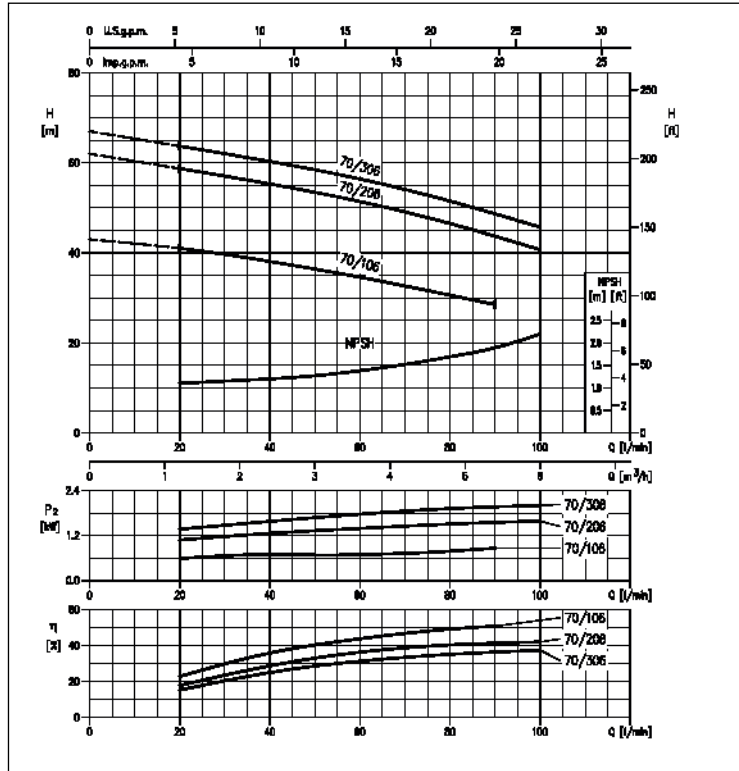
2CDX

SINGLE IMPELLER CENTRIFUGAL ELECTRIC PUMPS

in AISI 304

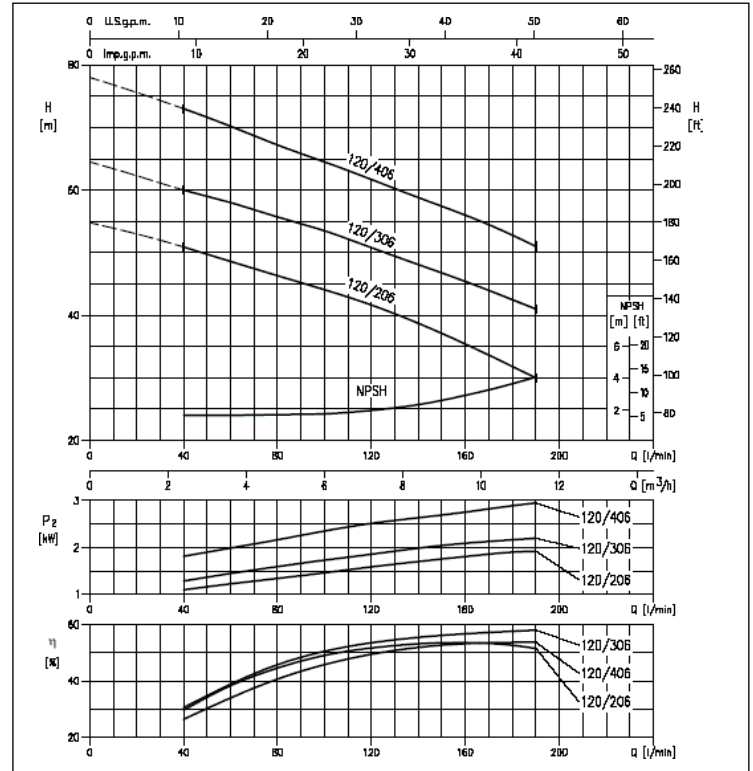
2CDX 70 range PERFORMANCE CURVES

(according to ISO 9906 Attachment A)



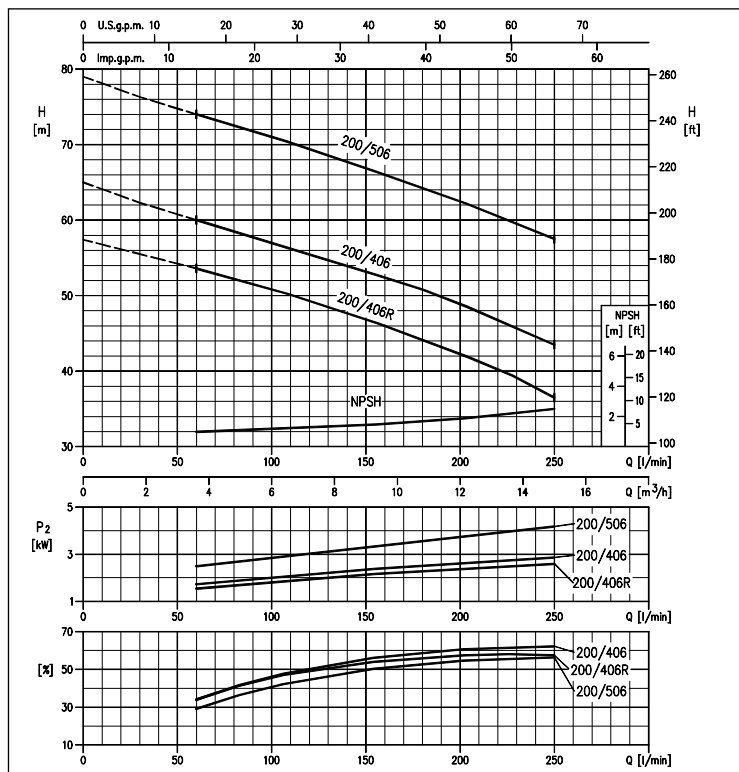
2CDX 120 range PERFORMANCE CURVES

(according to ISO 9906 Attachment A)



2CDX 200 range PERFORMANCE CURVES

(according to ISO 9906 Attachment A)



The content of this publication should not be considered mandatory. EBARA Pumps Europe S.p.A. reserves the right to change the content without prior notice.

2CDX

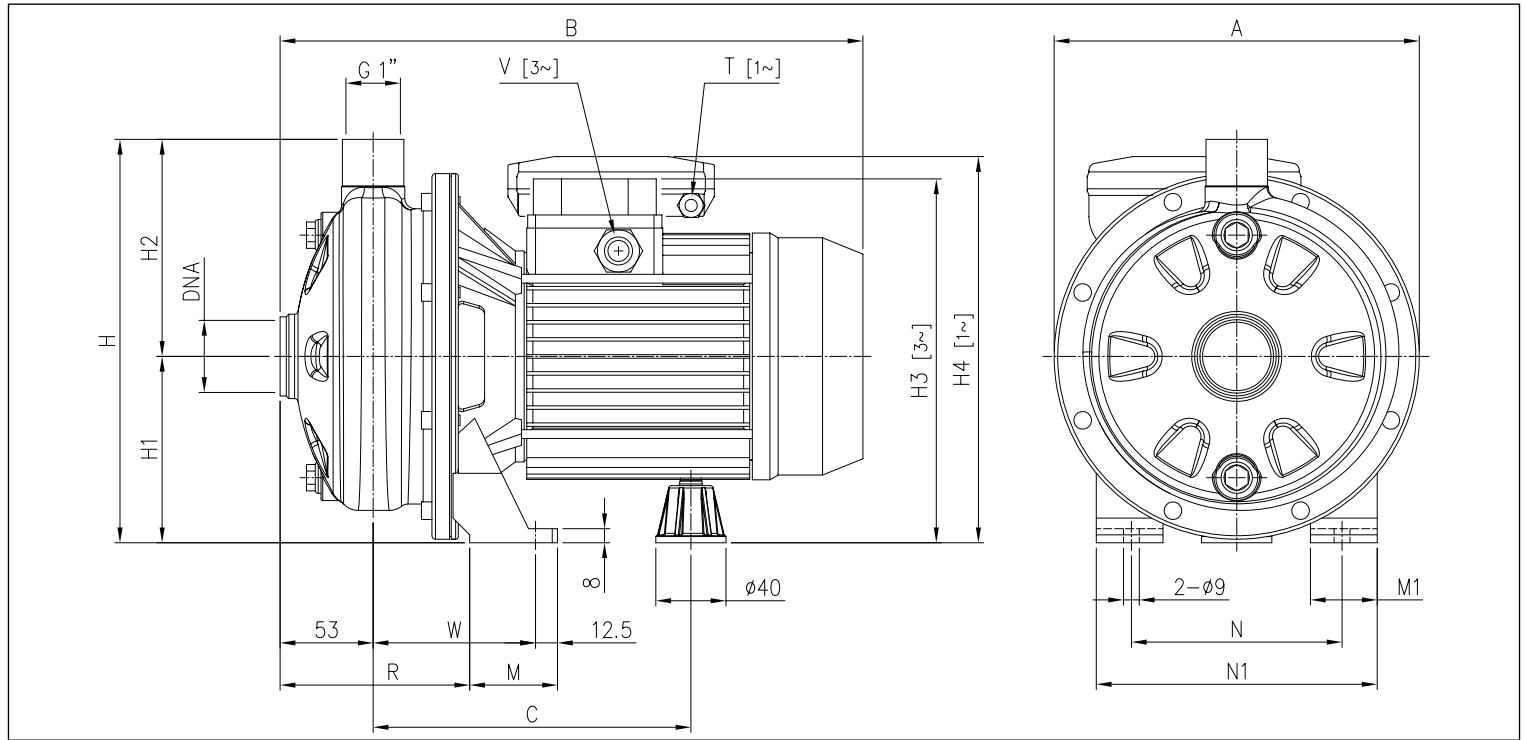
SINGLE IMPELLER CENTRIFUGAL ELECTRIC PUMPS

in AISI 304

2CDX PERFORMANCE TABLE

| Single phase | Model Three phase | P ₂ | | l/min m ³ /h | Q = Flow Rate | | | | | | | | | | | | |
|--------------|----------------------|----------------|------|----------------------------|---------------|------|------|------|------|------|------|------|------|------|-----|---|---|
| | | [HP] | [kW] | | 20 | 40 | 60 | 90 | 100 | 120 | 140 | 160 | 190 | 240 | 250 | | |
| | | | | H=Head [m] | | | | | | | | | | | | | |
| 2CDXM 70/106 | 2CDX 70/106 | 1 | 0,75 | 41,0 | 38,1 | 34,6 | 28,5 | - | - | - | - | - | - | - | - | - | - |
| 2CDXM 70/206 | 2CDX 70/206 | 2 | 1,5 | 58,5 | 55,5 | 51,5 | 44,0 | 40,5 | - | - | - | - | - | - | - | - | - |
| 2CDXM 70/306 | 2CDX 70/306 | 3 | 2,2 | 63,5 | 60,5 | 56,5 | 49,0 | 45,5 | - | - | - | - | - | - | - | - | - |
| - | 2CDX 120/206 | 2 | 1,5 | - | 50,5 | 48,5 | 45,0 | 44,0 | 41,5 | 38,6 | 35,6 | 30,0 | - | - | - | - | - |
| - | 2CDX 120/306 | 3 | 2,2 | - | 60,0 | 58,0 | 54,5 | 53,5 | 51,0 | 48,5 | 45,5 | 41,0 | - | - | - | - | - |
| - | 2CDX 120/406 | 4 | 3 | - | 73,0 | 70,0 | 66,0 | 64,5 | 62,0 | 59,0 | 56,0 | 51,0 | - | - | - | - | - |
| - | 2CDX 200/406 | 4 | 3 | - | - | 60,0 | 58,0 | 57,0 | 55,5 | 54,0 | 52,5 | 50,0 | 45,0 | 43,5 | - | - | - |
| - | 2CDX 200/406R | 4 | 3 | - | - | 53,5 | 51,5 | 51,0 | 49,5 | 47,5 | 46,0 | 43,0 | 37,9 | 36,5 | - | - | - |
| - | 2CDX 200/506 | 5,5 | 4 | - | - | 74,0 | 72,0 | 71,0 | 69,5 | 68,0 | 66,0 | 63,5 | 58,5 | 57,5 | - | - | - |

2CDX DIMENSIONS



DIMENSIONS TABLE

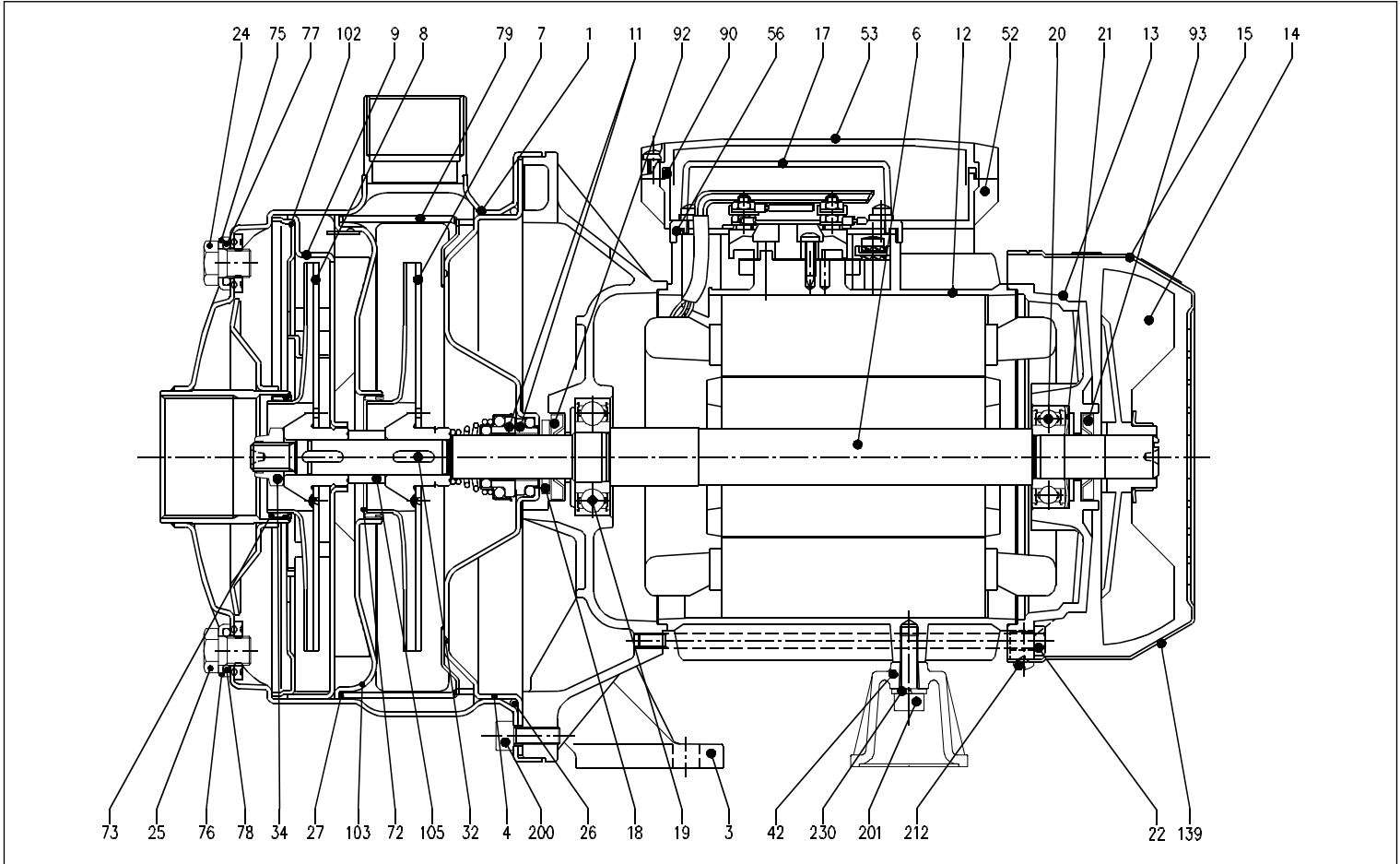
| Model 2CDX(M) | Dimensions [mm] | | | | | | | | | | | | | | | | | | | | | Weight [Kg] | | | | | | | |
|------------------|-----------------|-------|-------|-------|---------|---------|------|----|-----|-----|-----|--------|--------|-----|----|----|-----|-----|----|-----|-------|-------------|---------|---------|-----|--------------------------------|------|------|------|
| | A | B [2] | B [1] | * | C | * | D | E | H | H1 | H2 | H3 [1] | H4 [2] | M | M1 | N | N1 | P | R | S | T [2] | V | * | W | DNA | [2] | [1] | * | |
| 70/106 | 208 | 354 | 354 | 354 | 181 | 181 | 12,5 | 8 | 229 | 106 | 123 | 208 | 208 | 216 | 50 | 38 | 120 | 160 | 87 | 142 | Ø9 | PG11 | PG 11 | M16x1.5 | 93 | G1 ¹ / ₄ | 12,6 | 12,0 | 12,0 |
| 70/206 | 208 | 393 | 380 | 392,5 | 199 | 199 | 12,5 | 8 | 229 | 106 | 123 | 225 | 225 | 242 | 55 | 40 | 140 | 180 | 87 | 140 | Ø9 | PG 13,5 | PG 11 | M20x1.5 | 95 | G1 ¹ / ₄ | 16,6 | 16,0 | 17,0 |
| 70/306 | 208 | 393 | 380 | 392,5 | 199 | 199 | 12,5 | 8 | 229 | 106 | 123 | 225 | 225 | 242 | 55 | 40 | 140 | 180 | 87 | 140 | Ø9 | PG 13,5 | PG 11 | M20x1.5 | 95 | G1 ¹ / ₄ | 16,9 | 16,0 | 17,0 |
| 120/206 | 208 | - | 395 | 407,5 | 199 | 199 | 12,5 | 8 | 229 | 106 | 123 | 225 | 225 | - | 55 | 40 | 140 | 180 | 89 | 142 | Ø9 | - | PG 11 | M20x1.5 | 95 | G1 ¹ / ₄ | - | 17,5 | 18,4 |
| 120/306 | 208 | - | 395 | 407,5 | 199 | 199 | 12,5 | 8 | 229 | 106 | 123 | 225 | 225 | - | 55 | 40 | 140 | 180 | 89 | 142 | Ø9 | - | PG 11 | M20x1.5 | 95 | G1 ¹ / ₄ | - | 20,1 | 21,0 |
| 120/406 | 208 | - | 459 | 459 | 224/235 | 224/235 | 12,5 | 8 | 229 | 106 | 123 | 230 | 230 | - | 65 | 40 | 140 | 180 | 89 | 146 | Ø9 | - | PG 13,5 | M20x1.5 | 109 | G1 ¹ / ₄ | - | 25,9 | 25,9 |
| 200/406 | 208 | - | 457 | 457 | 224/235 | 224/235 | 12,5 | 8 | 229 | 106 | 123 | 230 | 230 | - | 65 | 40 | 140 | 180 | 87 | 144 | Ø9 | - | PG 13,5 | M20x1.5 | 109 | G1 ¹ / ₂ | - | 25,7 | 25,7 |
| 200/406R | 208 | - | 457 | 457 | 224/235 | 224/235 | 12,5 | 8 | 229 | 106 | 123 | 230 | 230 | - | 65 | 40 | 140 | 180 | 87 | 144 | Ø9 | - | PG 13,5 | M20x1.5 | 109 | G1 ¹ / ₂ | - | 25,7 | 25,7 |
| 200/506 | 208 | - | 480 | 480 | 233 | 233 | 16,0 | 12 | 241 | 118 | 123 | 259 | 259 | - | 68 | 50 | 160 | 210 | 87 | 144 | Ø12 | - | PG 16 | M20x1.5 | 109 | G1 ¹ / ₂ | - | 35,7 | 35,7 |

[1]= Three phase only
 [2]= Single phase only
 * Models with IE3 motor only

SINGLE IMPELLER CENTRIFUGAL ELECTRIC PUMPS

in AISI 304

SECTIONAL VIEW



MATERIALS TABLE

| Ref. | Name | Material | Ref. | Name | Material |
|------|--------------------------|--------------------------|------|-------------------------------|----------------------------|
| 1 | Casing | AISI 304 | 27 | O-ring [3] | NBR |
| 3 | Motor bracket | [4] | 32 | Key | AISI 316 |
| 4 | Casing cover | AISI 304 | 34 | Impeller nut | AISI 304 |
| 6 | Shaft w ith rotor | AISI 304 (Wet extension) | 42 | Motor support | Aluminium |
| 7 | Impeller | AISI 304 | 52 | Capacitor box [1] | ABS class V-0 |
| 8 | Impeller | AISI 304 | 53 | Capacitor box cover [5] | ABS class V-0 |
| 9 | Diffuser | AISI 304 | 56 | Box gasket | NBR |
| 11 | Mechanical seal [3] [6] | Ceramic/Carbon/NBR | 72 | Casing ring [3] | NBR |
| 12 | Motor frame w ith stator | - | 73 | Casing ring [3] | NBR |
| 13 | Motor cover | Aluminium | 75 | Washer | AISI 304 |
| 14 | Fan | PA | 76 | Washer | AISI 304 |
| 15 | Fan cover | Fe P04 Zincate | 77 | O-ring [3] | NBR |
| 16 | Terminal board | - | 78 | O-ring [3] | NBR |
| 17 | Terminal box cover [2] | Aluminium | 79 | Space dif fuser | AISI 304 |
| 18 | Splash ring | NBR | 90 | Terminal box cover gasket [7] | NBR |
| 19 | Pump side ball bearing | - | 92 | Lip seal | - |
| 20 | Fan side ball bearing | - | 93 | Lip seal | - |
| 21 | Adjusting ring | Steel C70 | 102 | Suction cover | AISI 304 |
| 22 | Tie rod | Fe 420 Zincate | 103 | Conveyor cover | AISI 304 |
| 23 | Capacitor [1] | - | 105 | Sleeve | AISI 304 |
| 24 | Priming plug | AISI 304 | 110 | Protector [1] | - |
| 25 | Drain plug | AISI 304 | 200 | Screw | Stainless steel A2 UNI7323 |
| 26 | O-ring [3] | NBR | | | |

[1] Only for single phase

[2] Only for three phase

[3] FPM for H, HS, HW, HSW

[4] Material: Aluminium for version up to 2.2 kW included, Cast iron for version 3.0 kW and above

[5] Whit gasket in NBR only for version single phase 2CDXM 70/106

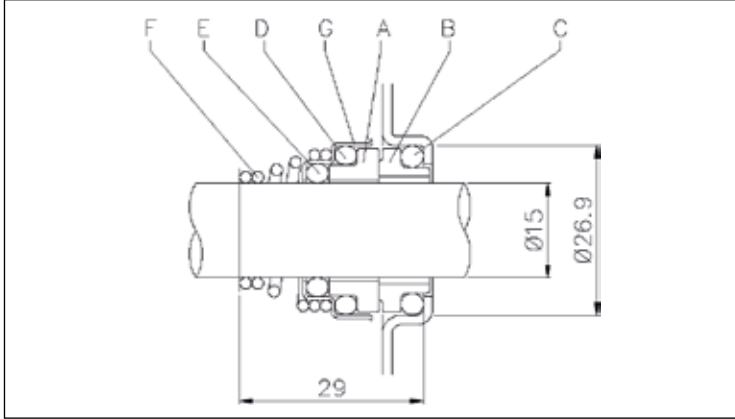
[6] Special version: see page 301

[7] Only for version single phase 2CDXM 70/206; 2CDXM 70/306

SINGLE IMPELLER CENTRIFUGAL ELECTRIC PUMPS

in AISI 304

SECTIONAL VIEW



MATERIALS TABLE

| Ref. | Name | Standard Version | H Version | Material HS Version | HW Version | HSW |
|------|----------------------|------------------|-----------------|---------------------|------------------|------------------|
| A | Rotary seal ring | Ceramic | Ceramic | Silicon carbide | Tungsten carbide | Silicon carbide |
| B | Stationary seal ring | Carbon graphite | Carbon graphite | Silicon carbide | Tungsten carbide | Tungsten carbide |
| C | O Ring | NBR | FPM | FPM | FPM | FPM |
| D | O Ring | NBR | FPM | FPM | FPM | FPM |
| E | O Ring | NBR | FPM | FPM | FPM | FPM |
| F | Self driving spring | AISI 316 | AISI 316 | AISI 316 | AISI 316 | AISI 316 |
| G | Frame | AISI 304 | AISI 304 | AISI 316 | AISI 316 | AISI 316 |

ELECTRIC DATA TABLE

| Model | | P ₂ | | Efficiency | | Capacitor | | Efficiency (%) | | | Efficiency (%) | | | P | | Absorbed Current [A] | | | |
|-------------------|----------------------|----------------|------|--------------|-------------|-----------------|----------|------------------|------------------|------------------|----------------|-------------|------------------------|-------------|------|----------------------|-------|-------|-----|
| Single phase 230V | Three phase 230/400V | [HP] | [kW] | Single phase | Three phase | Single Phase μF | Phase V. | Three phase 380V | Three phase 460V | Three phase 460V | Single phase | Three phase | Single Phase 220-230 V | Three Phase | | | | | |
| | | | | | | | | 50% | 75% | 100% | 50% | 75% | 100% | [kW] | [kW] | 220 V | 380 V | 460 V | |
| 2CDXM 70/106 | 2CDX 70/106 | 1 | 0,75 | - | - | 20 | 450 | 77,2 | 79,5 | 79,3 | 76,6 | 80,9 | 82,3 | 1,37 | 1,00 | 6,4 | 2,9 | 1,7 | 1,6 |
| 2CDXM 70/206 | 2CDX 70/106 | 1 | 0,75 | - | IE3* | - | - | 80,7 | 81,9 | 81,3 | 78,4 | 81,6 | 83,1 | 1,37 | 0,90 | 6,4 | 2,8 | 1,6 | 1,5 |
| 2CDXM 70/306 | 2CDX 70/206 | 2 | 1,5 | - | - | 35 | 450 | 82,4 | 83,0 | 82,2 | 79,5 | 82,9 | 83,8 | 2,05 | 2,90 | 9,9 | 8,1 | 4,7 | 4,3 |
| - | 2CDX 70/206 | 2 | 1,5 | - | IE3* | - | - | 88,9 | 88,8 | 87,2 | 86,3 | 88,5 | 88,4 | 2,05 | 2,48 | 9,9 | 7,5 | 4,3 | 4,1 |
| - | 2CDX 70/306 | 3 | 2,2 | - | - | 35 | 450 | 82,4 | 83,0 | 82,2 | 79,5 | 82,9 | 83,8 | 2,63 | 2,90 | 11,9 | 8,1 | 4,7 | 4,3 |
| - | 2CDX 70/306 | 3 | 2,2 | - | IE3* | - | - | 88,9 | 88,8 | 87,2 | 86,3 | 88,5 | 88,4 | 2,63 | 2,48 | 11,9 | 7,5 | 4,3 | 4,1 |
| - | 2CDX 120/206 | 2 | 1,5 | - | - | - | - | 82,4 | 83,0 | 82,2 | 79,5 | 82,9 | 83,8 | - | 2,90 | - | 8,1 | 4,7 | 4,3 |
| - | 2CDX 120/206 | 2 | 1,5 | - | IE3* | - | - | 88,9 | 88,8 | 87,2 | 86,3 | 88,5 | 88,4 | - | 2,48 | - | 7,5 | 4,3 | 4,1 |
| - | 2CDX 120/306 | 3 | 2,2 | - | - | - | - | 82,4 | 83,0 | 82,2 | 79,5 | 82,9 | 83,8 | - | 2,90 | - | 8,1 | 4,7 | 4,3 |
| - | 2CDX 120/306 | 3 | 2,2 | - | IE3* | - | - | 88,9 | 88,8 | 87,2 | 86,3 | 88,5 | 88,4 | - | 2,48 | - | 7,5 | 4,3 | 4,1 |
| - | 2CDX 120/406 | 4 | 3 | - | - | - | - | 84,0 | 85,9 | 85,2 | 80,2 | 83,5 | 84,6 | - | 3,90 | - | 10,5 | 6,1 | 5,6 |
| - | 2CDX 120/406 | 4 | 3 | - | IE3* | - | - | - | - | 87,5 | - | - | 88,5 | - | 3,42 | - | 10,2 | 5,9 | 5,6 |
| - | 2CDX 200t/406 | 4 | 3 | - | - | - | - | 84,0 | 85,9 | 85,2 | 80,2 | 83,5 | 84,6 | - | 3,90 | - | 10,5 | 6,1 | 5,6 |
| - | 2CDX 200/406 | 4 | 3 | - | IE3* | - | - | - | - | 87,5 | - | - | 88,5 | - | 3,42 | - | 10,2 | 5,9 | 5,6 |
| - | 2CDX 200/406R | 4 | 3 | - | - | - | - | 84,0 | 85,9 | 85,2 | 80,2 | 83,5 | 84,6 | - | 3,90 | - | 10,5 | 6,1 | 5,6 |
| - | 2CDX 200/406 | 4 | 3 | - | IE3* | - | - | - | - | 87,5 | - | - | 88,5 | - | 3,42 | - | 10,2 | 5,9 | 5,6 |
| - | 2CDX 200/506 | 5,5 | 4 | - | - | - | - | 83,2 | 85,8 | 86,1 | 81,0 | 85,1 | 86,7 | - | 5,10 | - | 15,7 | 9,0 | 7,4 |
| - | 2CDX 200/506 | 5 | 3,7 | - | IE3* | - | - | 89,7 | 89,6 | 88,6 | 86,1 | 88,4 | 88,5 | - | 4,52 | - | 13,5 | 7,8 | 7,6 |

* Only for 460V

EBARA Pumps Europe network

HEAD OFFICE

EBARA Pumps Europe S.p.A.
Via Pacinotti, 32
36040 Brendola (VI), Italy
Phone +39 0444 706811 - Fax +39 0444 405811

Italian Sales (for order only):
e-mail: ordini@ebaraeurope.com

Export Sales (for order only):
e-mail: exportsales@ebaraeurope.com

Technical Customer Service (TCS):
e-mail: tcs@ebaraeurope.com
Phone +39 0444 706869/902/923/833

Marketing & Marketing Communication:
e-mail: marketing@ebaraeurope.com

ITALIAN SALES NETWORK

NORTH-EAST Region:
(Trentino Alto Adige, Veneto, Friuli Venezia Giulia, Emilia Romagna)
Regional Manager mobile: +39 335 6423308
e-mail: nord@ebaraeurope.com
Phone +39 0444 706811 - Fax +39 0444 405811

NORTH-WEST Region:
(Valle d'Aosta, Piemonte, Lombardia, Liguria)
Regional Manager mobile: +39 335 5327276
e-mail: mktgmi@ebaraeurope.com
Phone +39 0444 706811 - Fax +39 0444 405975

CENTRAL Region:
(Toscana, Umbria, Marche, Lazio, Abruzzo, Molise)
Regional Manager mobile: +39 335 6423286
e-mail: centro@ebaraeurope.com
Phone +39 0444 706811 - Fax +39 0444 405811

SOUTH Region:
(Campania, Basilicata, Puglia, Calabria, Sicilia)
Regional Manager mobile: +39 335 6423316
e-mail: sud@ebaraeurope.com
Phone +39 0444 706811 - Fax +39 0444 405811

INDUSTRIAL Division:
Manager mobile: +39 335 6423302
e-mail: industry@ebaraeurope.com
Phone +39 0444 706811 - Fax +39 0444 405811

WASTEWATER Division:
Manager mobile: +39 335 6423290
e-mail: ses@ebaraeurope.com
Phone +39 0444 706811 - Fax +39 0444 405811

CAGLIARI Branch:
Via del Fangario, 29
09122 Cagliari
Phone +39 070 274281 - Fax +39 0444 405960
Branch Manager mobile: +39 335 6423320
e-mail: mktgca@ebaraeurope.com

PALERMO Branch:
Via Don L. Sturzo, 181/183
Z.I. - 90044 Carini (PA)
Phone +39 091 8669790 - Fax +39 0444 405980
Branch Manager mobile: +39 335 6423316
e-mail: mktgpa@ebaraeurope.com

EXPORT NETWORK

EBARA Pumps Europe S.p.A. UNITED KINGDOM
Unit 7 - Zodiac Business Park
High Road - Cowley Uxbridge
Middlesex - UB8 2GU, United Kingdom
Phone +44 1895 439027 - Fax +44 1895 439028
e-mail: mktguk@ebaraeurope.com

EBARA ESPAÑA BOMBAS S.A.
C/Cormoranes 6 Y 8
Poligono Ind. La Estación
28320 Pinto (Madrid), Spain
Phone +34 916.923.630 - Fax +34 916.910.818
e-mail: marketing@ebara.es

EBARA Pumps Europe S.p.A. FRANCE
555, Rue Juliette Recamier
69970 Chaponnay, France
Phone +33 4 72769482 - Fax +33 805101071
e-mail: mktgfr@ebaraeurope.com

EBARA Pumps Europe S.p.A. GERMANY
Ferdinand-Porsche-Ring 7
63110 Rodgau-Jügesheim, Germany
Phone +49 (0) 6106-660 99-0
Fax +49 (0) 6106-660 99-45
e-mail: mktgde@ebaraeurope.com

EBARA POMPY POLSKA Sp. z o.o.
ul. Działkowa 115
02-234 Warszawa, Poland
Phone +48 22 3909920 - Fax +48 22 3909929
e-mail: mktgpl@ebaraeurope.com

EBARA Pumps Europe S.p.A INDIA LIAISON OFFICE
1503, Bhumiraj Costa Rica,
Sector-18, Palm Beach Rd.
Sanpada, Navi Mumbai
Maharashtra, Pin: 400705 - India
Phone +91 22 2781 2862
Fax +91 22 2781 2865
e-mail: mktgind@ebaraeurope.com

EBARA Pumps RUS Ltd.
Prospekt Andropov 18, building 7, floor 11
115432 Moscow
Japan
Tel. +7 499 6830133
e-mail: mktgrus@ebaraeurope.com



EBARA Pumps Europe S.p.A.

Via Pacinotti, 32
36040 Brendola (Vicenza), Italy
Phone +39 0444 706811 - Fax +39 0444 405811
e-mail: ebara_pumps@ebaraeurope.com
www.ebaraeurope.com



EBARA Corporation

11-1, Haneda Asahi-cho, Ohta-ku,
Tokyo 144-8510
Japan
Phone +81 3 6275 7598 - Fax +81 3 5736 3193
www.ebara.com

